

CS SERIES

CS1014T CS1214T

car audio
subwoofer enclosures
owner's manual



JBL

THE OFFICIAL BRAND
OF LIVE MUSIC.®

INSTALLATION WARNINGS AND TIPS

THANK YOU for choosing a JBL® CS Series subwoofer enclosure. These products have been designed to deliver great bass performance from a compact, easily installed enclosure. To get the best performance from your enclosure, we strongly recommend that installation be entrusted to a qualified professional. Although these instructions explain how to install your product in a general sense, they do not show specific installation methods that may be required for your particular vehicle. If you do not have the necessary tools or experience, do not attempt the installation yourself. Instead, please ask your authorized JBL car audio dealer about professional installation.

In order that we may better serve you should you require warranty service, please retain your original sales receipt and serial number.

WARNING: Playing loud music in an automobile can permanently damage your hearing as well as hinder your ability to hear traffic. We recommend listening at low levels while driving. JBL accepts no liability for hearing loss, bodily injury or property damage resulting from use or misuse of this product.

INSTALLATION TIPS

- Always wear protective eyewear when using tools.
- Turn off all audio components and other electrical devices before you start. Disconnect the (-) negative lead from your vehicle's battery.
- Check clearances on both sides of a planned mounting surface. Be sure that screws or wires will not puncture brake lines, fuel lines or wiring harnesses, and that wire routing will not interfere with the safe operation of the vehicle.
- When making electrical connections, make sure they are secure and properly insulated.
- Before drilling or cutting holes, use a utility knife to remove unwanted fabric or vinyl, to keep material from snagging in a drill bit or saw.
- Do not mount speakers where they will get wet.
- If a fuse must be replaced, be sure to use the same type of fuse and current rating as that of the original.

CHOOSING A MOUNTING LOCATION FOR ENCLOSURE

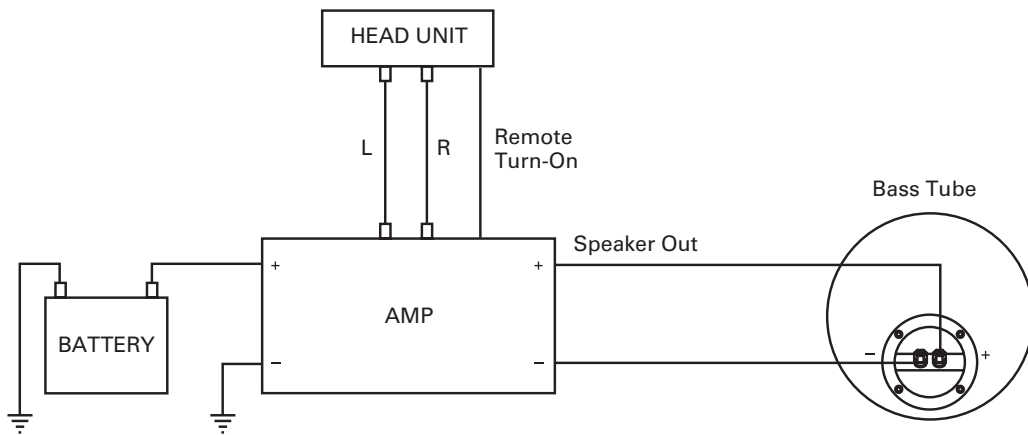
Choose a mounting location that doesn't interfere with cargo, the fold-down rear seat or the trunk lid. The best location is usually a corner of the trunk or cargo area. Securely mount enclosure to the mounting surface, using the supplied material.

The JBL logo is displayed in a white square on a dark grey background. The letters 'JBL' are in a bold, black, sans-serif font.

POWER CONNECTIONS

Connect the + and – terminals on the enclosure to the amplifier's outputs, observing proper polarity.

Use at least 0.5mm² speaker wire for the connections to the enclosure.



SPECIFICATIONS

	CS1014T	CS1214T
	Tube enclosure	Tube enclosure
Woofer	10" (250mm)	12" (300mm)
Power Handling, RMS	125W	250W
Power Handling, Peak	500W	1000W
Sensitivity (2.83V/1m)	90dB	90dB
Frequency Response	45Hz – 200Hz	35Hz – 200Hz
Impedance	4 Ohms	4 Ohms
Dimensions (Diameter x Length)	11-1/16" x 23-5/8" (280mm x 600mm)	13" x 26" (330mm x 660mm)

GENERAL CARE

The loudspeaker grille may be cleaned with a damp cloth. Do not use any cleaners or solvents on the grille or the speaker cones.

A valid serial number is required for warranty coverage.

Features, specifications and appearance are subject to change without notice.

his product is designed for mobile applications and is not intended for connection to the mains.

Designed and Engineered in the USA

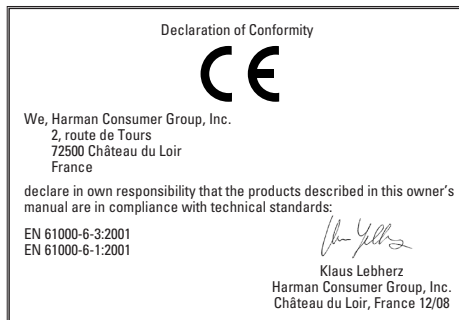
Harman Consumer Group, Inc.
250 Crossways Park Drive, Woodbury, NY 11797 USA
www.jbl.com

© 2008 Harman International Industries, Incorporated. All rights reserved.

JBL is a trademark of Harman International Industries, Incorporated,
registered in the United States and/or other countries.

Part No. CS10/1214TOM 12/08

H Harman International



www.jbl.com